

## 2.5" SATA III SSD

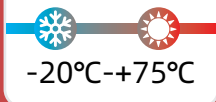
### Feature

- Interface: SATA3.0(6Gb/s)
- Low-Density Parity-Check (LDPC) Code
- Global Wear Leveling
- Flash bad-block management
- Flash Translation Layer: Page Mapping
- Support S.M.A.R.T.
- Support TRIM
- Power Loss Protection PLP

Yansen YSS600E-X-XXX is a well-balanced 2.5 SATA SSD with standard form factor and great performance. Designed in SATA 6 Gb/s interface, the SSD is able to deliver exceptional read/write speed, making it the ideal companion for heavy-loading industrial or server operations.

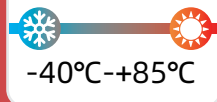
YSS600E-X-XXX utilizes 2D NAND and max capacity up to 1TB, external DRAM design makes the drive has great performance for 4KB files, the drive comes with various implementations including powerful hardware ECC engine, power saving modes, wear leveling, flash block management, S.M.A.R.T. and TRIM.

天元系列

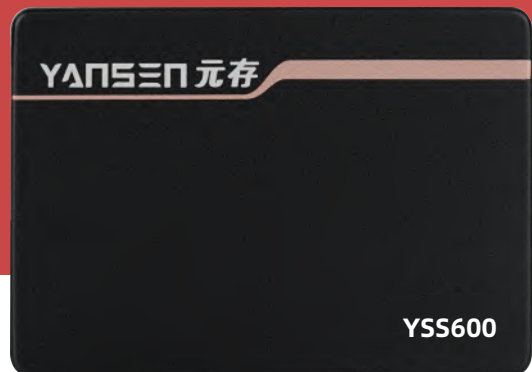


-20°C--+75°C

天极系列



-40°C--+85°C



Tell:+86-755-2698 5379

Fax: +86-755-26985365

Email: info@yansen-ssd.com

After-sales Service:

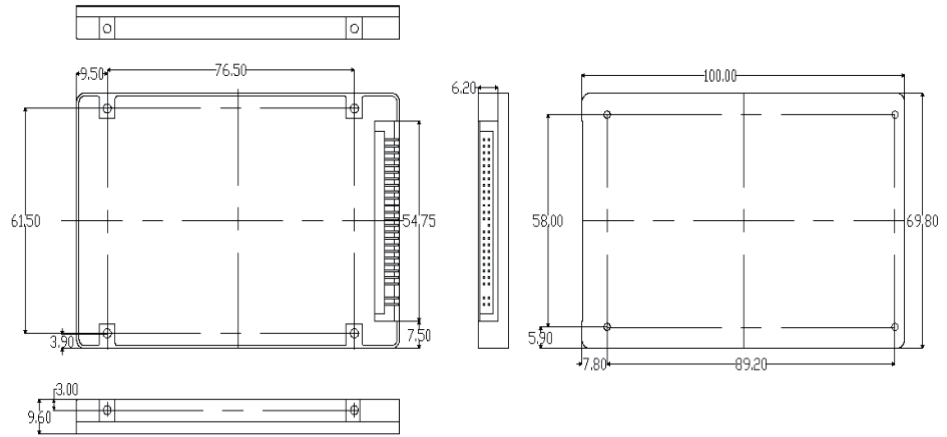
Tel: 400-7799-711

Email: support@yansen-ssd.com

Office: Room 1501-1503, Jinxiu Hongdu Building, at Meilong Road and Bulong Road in Minzhi Street, Long Hua District, Shenzhen, Guangdong, China. Zip Code: 518131

Factory: Factory:3rd/F.,E Block|Yalitong Ind. Park| Tangxia,Dongguan, Guangdong,China, 523710

# YSS600E SERIES



## Specifications

	YSS600E-X-XXX	YSS600T-X-XXX
Flash Type	MLC	MLC
Capacity	128GB~1TB (with DRAM)	8GB~256GB
Sequential Read (MAX)	Up to 570MB/s	Up to 550MB/s
Sequential Write (MAX)	Up to 480MB/s	Up to 250MB/s
4K Random Read	65090 IOPS	21700 IOPS
4K Random Write	65200 IOPS	21900 IOPS
Operating Temperature	-20°C ~ 75°C / -40°C ~ 85°C	-20°C ~ 75°C / -40°C ~ 85°C
Storage Temperature	-55°C ~ +95°C	-55°C ~ +95°C
Humidity	5%-95% RH non-condensing	5%-95% RH non-condensing
Shock	1500G/0.5ms	1500G/0.5ms
Vibration	80Hz~2000Hz/20G	80Hz~2000Hz/20G
Operating Voltage	DC 5V±5%	DC 5V±5%
Power Consumption (MAX)	4.2W	2.0W
Dimensions	L100.4mm*W70mm*H7.0mm ±0.15mm	L100.4mm*W70mm*H7.0mm ±0.15mm
MTBF	2 million hours	2 million hours

## Order Information

	Temperature	128GB	256GB	512GB	1TB
YSS600E-M-XXX	-20°C ~ 75°C	YSS600E-M-128 (Enhance Series)	YSS600E-M-256 (Enhance Series)	YSS600E-M-512 (Enhance Series)	YSS600E-M-1T (Enhance Series)
	-40°C ~ 85°C	YSS600E-M-128 (Extreme Series)	YSS600E-M-256 (Extreme Series)	YSS600E-M-512 (Extreme Series)	YSS600E-M-1T (Extreme Series)
	Temperature	8GB	16GB	32GB	
YSS600T-S-XXX	-20°C ~ 75°C	YSS600T-S-008 (Enhance Series)	YSS600T-S-016 (Enhance Series)	YSS600T-S-032 (Enhance Series)	
	-40°C ~ 85°C	YSS600T-S-008 (Extreme Series)	YSS600T-S-016 (Extreme Series)	YSS600T-S-032 (Extreme Series)	
	Temperature	64GB	128GB	256GB	
YSS600T-M-XXX	-20°C ~ 75°C	YSS600T-M-064 (Enhance Series)	YSS600T-M-128 (Enhance Series)	YSS600T-M-256 (Enhance Series)	
	-40°C ~ 85°C	YSS600T-M-064 (Extreme Series)	YSS600T-M-128 (Extreme Series)	YSS600T-M-256 (Extreme Series)	